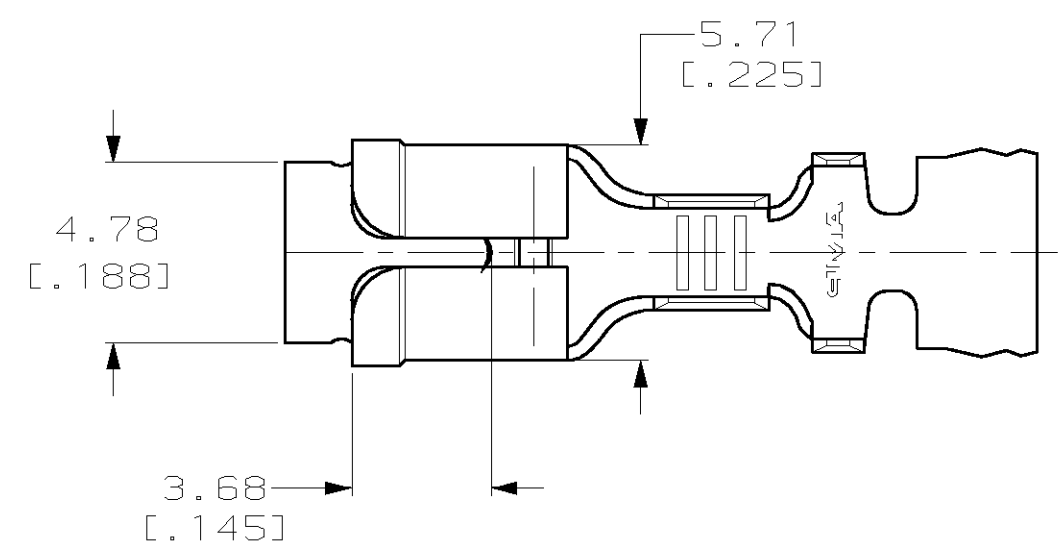
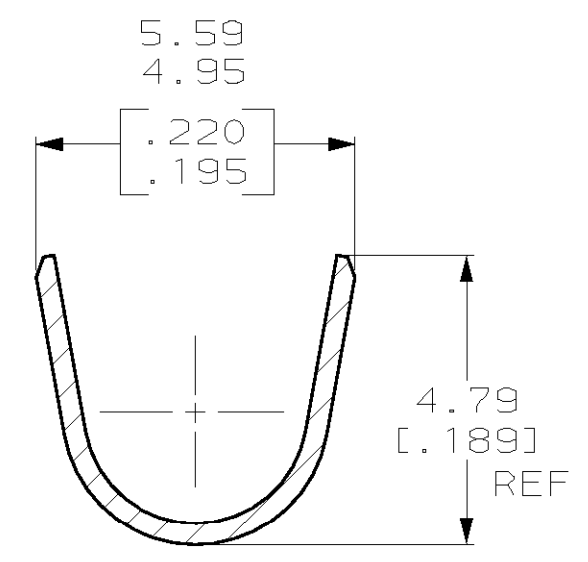
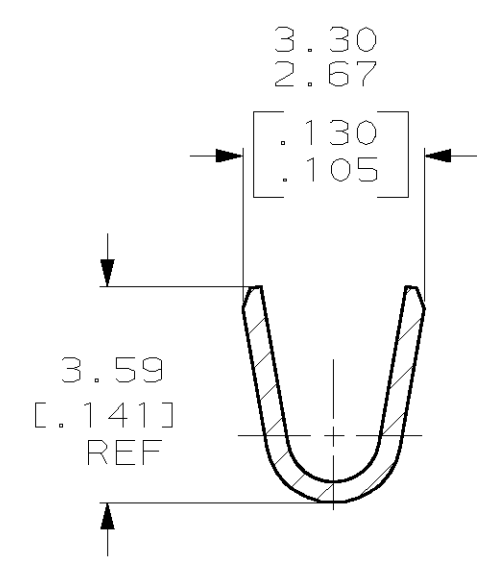
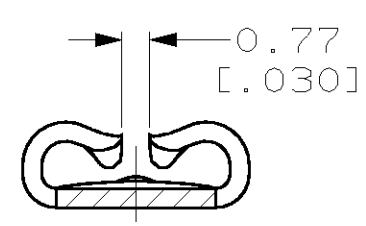
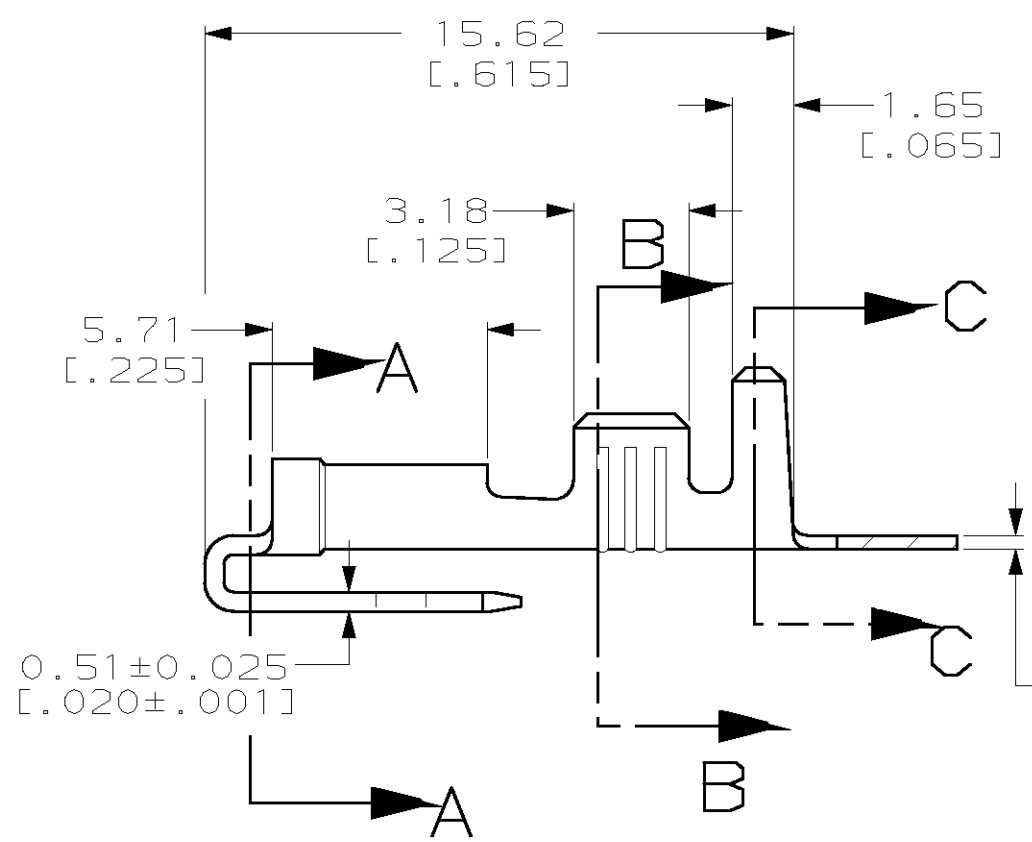


THIS DRAWING IS UNPUBLISHED. RELEASED FOR PUBLICATION .19 .
 © COPYRIGHT 19 BY AMP INCORPORATED. ALL RIGHTS RESERVED.

LOC	DIST	REVISIONS					
		P	LTR	DESCRIPTION	DATE	DWN	APVD
AF	50		A	REL PER 063A-0274-99	18NOV99	JR	SH



- 1 CONTINUOUS STRIP ON REELS.
- 2 WIRE SIZE IS [#18-#14] AWG.
- 3 INSULATION RANGE IS 2.79-4.06 [.110-.160] DIA.
- 4 MATING TAB THK IS 0.51±0.025 [.020±.001].



1217151-1
PART NO.

THIS DRAWING IS A CONTROLLED DOCUMENT.		DWN JR RUTH 6MAY99	AMP Incorporated Harrisburg, PA 17105-3608	
DIMENSIONS: MM [INCHES]		CHK MS FEHER 6MAY99		
TOLERANCES UNLESS OTHERWISE SPECIFIED:		APVD S HEADER 6MAY99	NAME RECEPTACLE, PIGGYBACK, FASTON, 4.75 [.187] SERIES	
0 PLC ±- 1 PLC ±- 2 PLC ±0.25 [.010] 3 PLC ±- 4 PLC ±- ANGLES ±-		PRODUCT SPEC -	RESTRICTED TO -	
MATERIAL H04 PREMILLED BRASS		FINISH 0.002032 [.000080] MIN TIN	APPLICATION SPEC -	SIZE A3
		WEIGHT -	CAGE CODE 00779	DRAWING NO C- 1217151
CUSTOMER DRAWING			SCALE 5:1	SHEET 1 OF 1
			REV A	